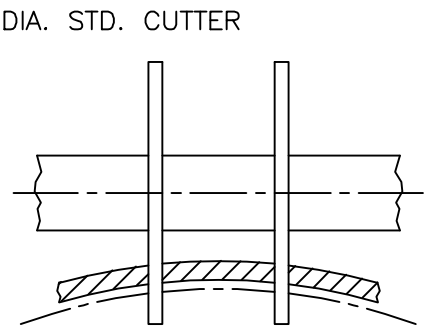
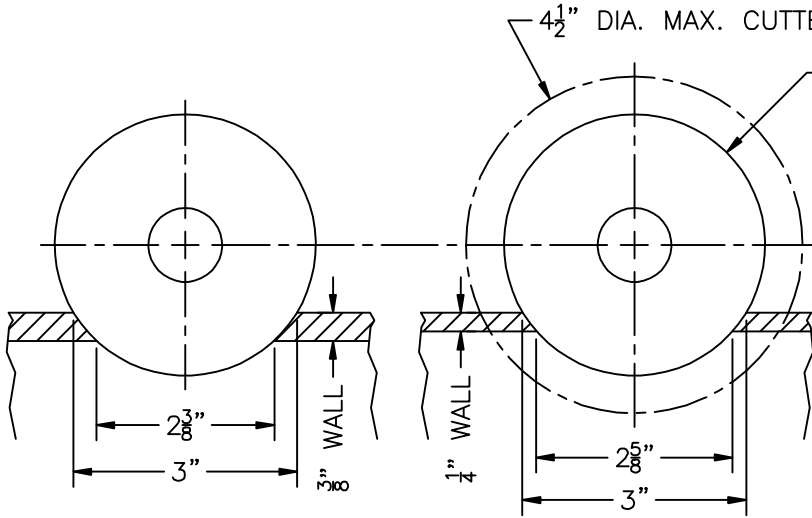
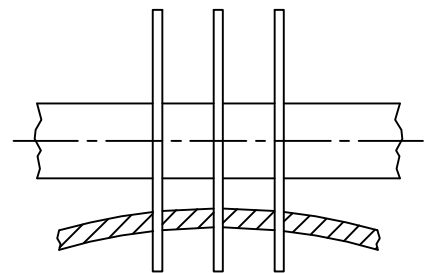
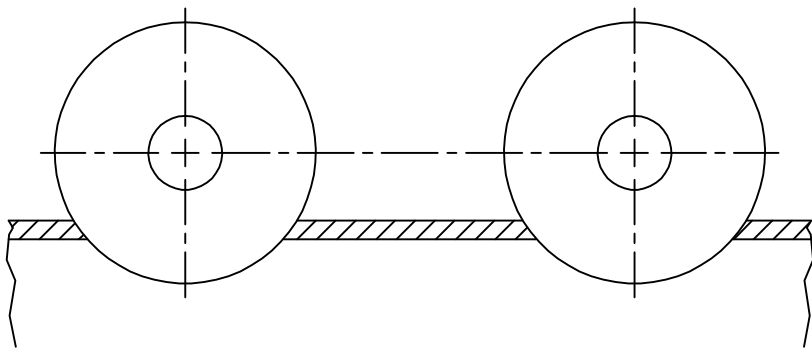


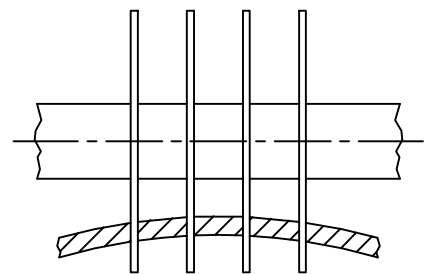
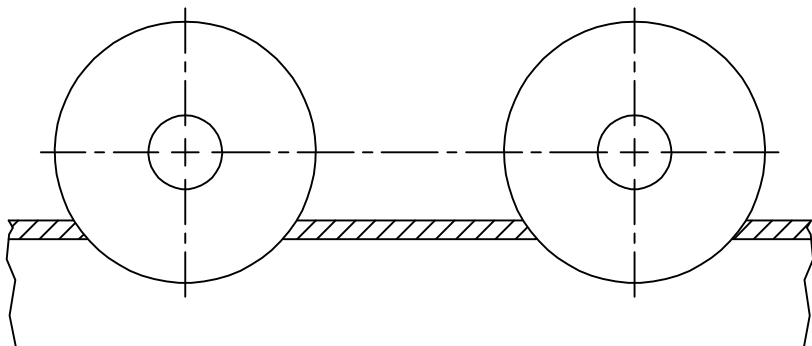
STD. 2-CUTTER SETUP



2-CUTTER SHOWING EFFECTS OF PIPE WALL THICKNESS AND CUTTER DIAMETER.



3-CUTTER SETUP



4-CUTTER SETUP